

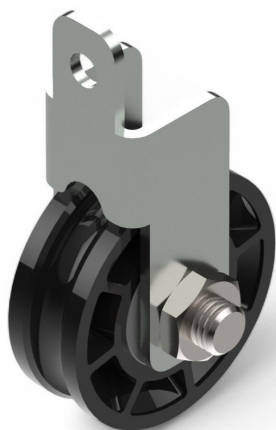
Overview

Cable pulley 52/4 mm with holder for lifting / lowering heater - PU = 25 pcs

Product number: 04400094

Options

PU (Pcs)



Image



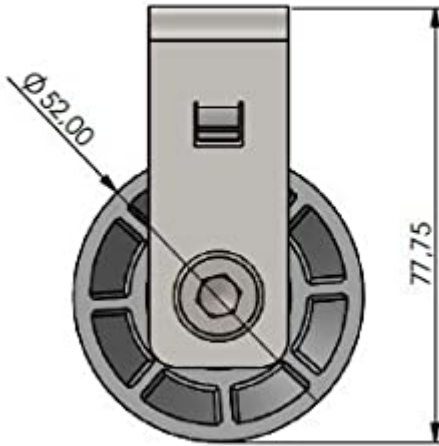
Description

Thanks to two ball bearings, **the 52 mm pulley** is guided particularly securely on the axle and has a high level of stability under shear loads.

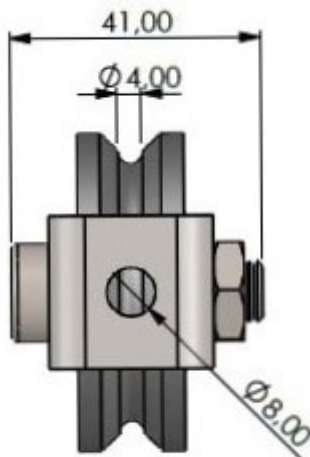
The galvanised steel bracket can be attached to your construction with an **M8 screw**. The retaining bracket can also be detached from the pulley to make installation **as easy as possible**, even in installation situations that are difficult to access.



- Impact resistant pulley
- Galvanised steel bracket
- Two ball bearings
- Load capacity: up to 280 kg
- Made in Germany



- Outer diameter: 52 mm
- Total height: 77,75 mm



- Total width: 20 mm
- Rope diameter: up to $\varnothing 8$ mm
- Fastening with M8 screw / bolt