

## Overview

# Endguide with bearing for tube motor 50 mm

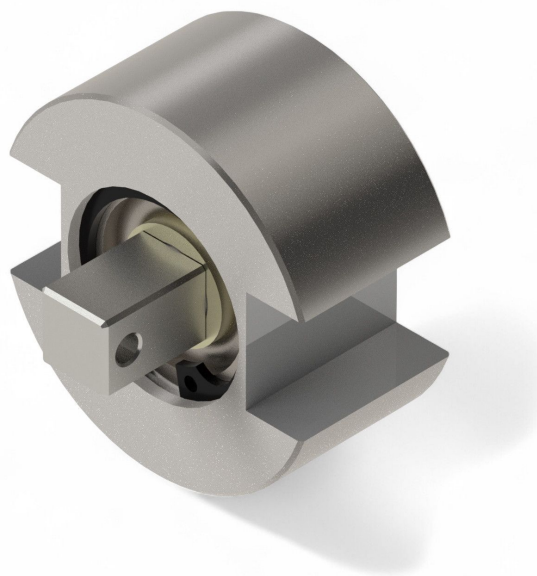
Product number: 25250015

## Options

### Version

50 mm

63 mm



Image

Image



TGU GmbH & Co. KG  
Joseph-Monier-Str. 2  
48268 Greven  
Deutschland

Kontakt:  
Telefon: +49 2575/95587-  
15  
Fax: +49 2575/95587-87  
E-Mail: info@tgu-shop.com

Rechtliches:  
Amtsgericht Ibbenbüren  
USt-ID-Nr.:  
DE 125543036

## Description

- **Application:** Guides roll-up tubes on the side opposite the tube motor
- **Material:** Aluminum
- **Installation:** Inserted into the roll-up tube

The **Endguide with Bearing for Tube Motor 50 mm** is a ball-bearing guide that ensures smooth and stable movement of roll-up tubes on the side opposite the motor. It is installed directly into the tube and provides long-lasting support for shading systems.