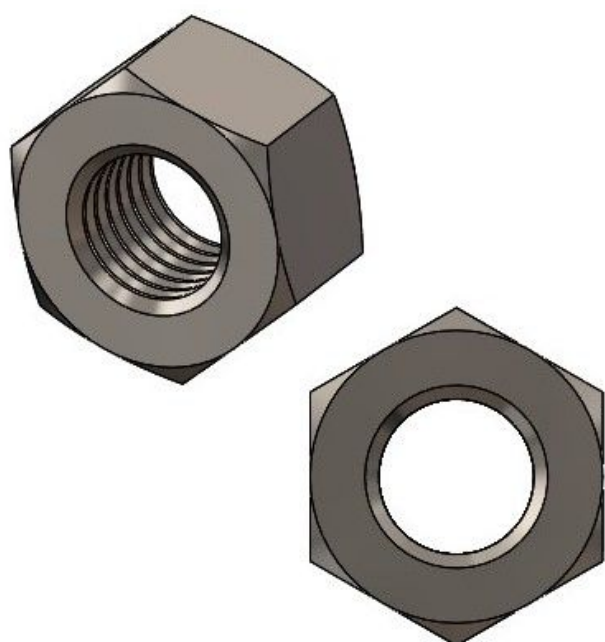


Overview

Nuts M4 A2 DIN 934 - PU = 100 pcs

Product number: 42200118





TGU GmbH & Co. KG
Joseph-Monier-Str. 2
48268 Greven
Deutschland

Kontakt:
Telefon: +49 2575/95587-
15
Fax: +49 2575/95587-87
E-Mail: info@tgu-shop.com

Rechtliches:
Amtsgericht Ibbenbüren
USt-ID-Nr.:
DE 125543036

Description

- **Application:** Universal hex nut for corrosion-resistant fastening
- **Standard:** DIN 934 / ISO 4032
- **Thread size:** M4
- **Material:** Stainless steel (A2)
- **Packaging unit:** 100 pieces

The **Nuts M4 A2 stainless steel DIN 934** are rustproof hex nuts suitable for a wide range of fastening applications. Their A2 stainless steel construction ensures long-term durability in humid or outdoor environments.