



TGU GmbH & Co. KG
Joseph-Monier-Str. 2
48268 Greven
Deutschland

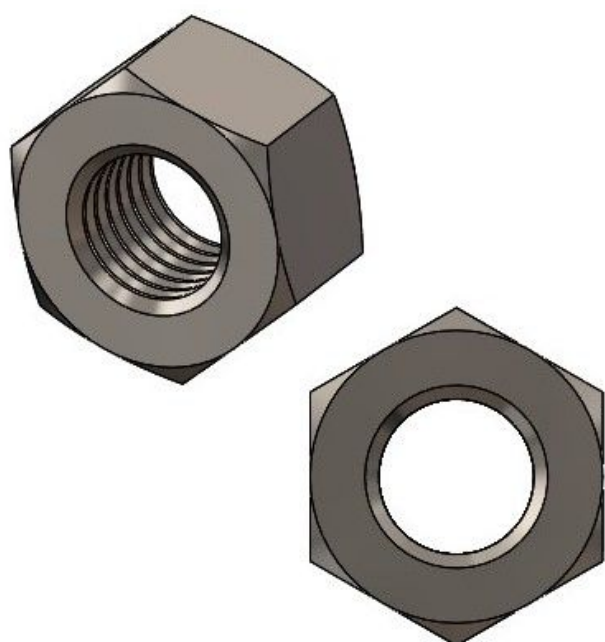
Kontakt:
Telefon: +49 2575/95587-
15
Fax: +49 2575/95587-87
E-Mail: info@tgu-shop.com

Rechtliches:
Amtsgericht Ibbenbüren
USt-ID-Nr.:
DE 125543036

Overview

Nuts M 10 steel galv. ISO 4032 - PU = 100 pcs

Product number: 42200103





TGU GmbH & Co. KG
Joseph-Monier-Str. 2
48268 Greven
Deutschland

Kontakt:
Telefon: +49 2575/95587-
15
Fax: +49 2575/95587-87
E-Mail: info@tgu-shop.com

Rechtliches:
Amtsgericht Ibbenbüren
USt-ID-Nr.:
DE 125543036

Description

- **Application:** Standard hex nut for bolts in greenhouse and mechanical assemblies
- **Standard:** DIN 934-8 / ISO 4032
- **Thread size:** M10
- **Material:** Galvanized steel
- **Packaging unit:** 100 pieces

The **Nuts M10 steel galv. DIN 934-8** are high-strength hex nuts for use with M10 bolts in structural greenhouse applications. Galvanized for long-term corrosion protection.