



TGU GmbH & Co. KG
Joseph-Monier-Str. 2
48268 Greven
Deutschland

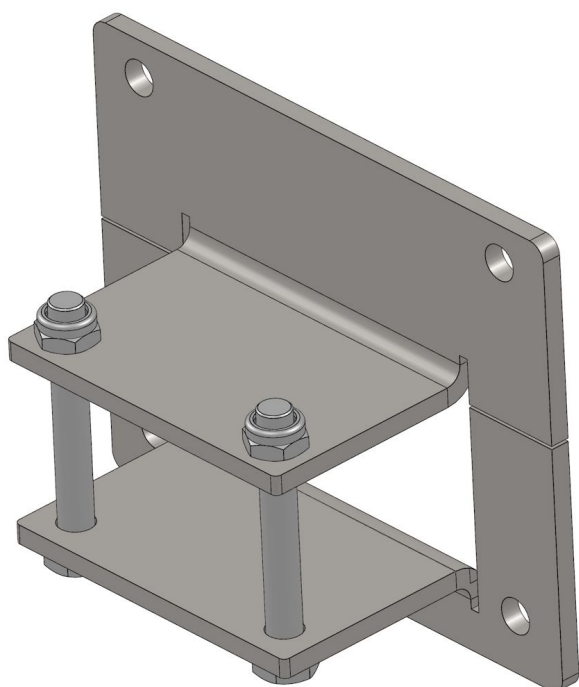
Kontakt:
Telefon: +49 2575/95587-
15
Fax: +49 2575/95587-87
E-Mail: info@tgu-shop.com

Rechtliches:
Amtsgericht Ibbenbüren
USt-ID-Nr.:
DE 125543036

Overview

Motor mount TGU gearbox EWA12/14 - for suspended shading systems

Product number: 32135506



Erstellt am 20.04.2026.

Dieses Dokument stellt kein Angebot da. Es gelten die aktuellen Preise im Online-Shop.

All prices excl. VAT plus shipping costs and possible delivery charges, if not stated otherwise.



TGU GmbH & Co. KG
Joseph-Monier-Str. 2
48268 Greven
Deutschland

Kontakt:
Telefon: +49 2575/95587-
15
Fax: +49 2575/95587-87
E-Mail: info@tgu-shop.com

Rechtliches:
Amtsgericht Ibbenbüren
USt-ID-Nr.:
DE 125543036

Description

- **Application:** Mounting Lock EWA12 and EWA14 gear motors in suspended greenhouse shading systems
- **Material:** Galvanized steel
- **Tube compatibility:** Square tube 50×50 mm
- **Special feature:** Compact design for easy integration

The **Motor Mount TGU EWA12/14** is a dedicated bracket for Lock EWA12 and EWA14 motors used in suspended shading systems. It provides a stable and corrosion-resistant mounting solution for square tube frames.