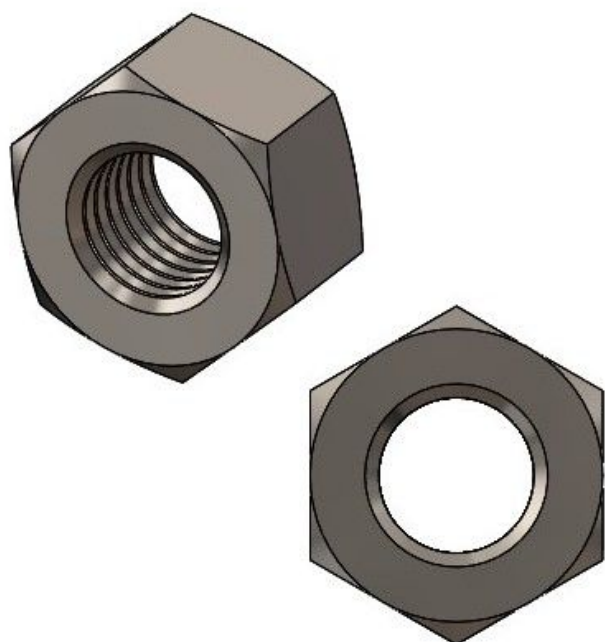


Overview

Nuts M6 steel galv. DIN 934 (ISO 4032) - PU = 100 pcs

Product number: 42200101





TGU GmbH & Co. KG
Joseph-Monier-Str. 2
48268 Greven
Deutschland

Kontakt:
Telefon: +49 2575/95587-
15
Fax: +49 2575/95587-87
E-Mail: info@tgu-shop.com

Rechtliches:
Amtsgericht Ibbenbüren
USt-ID-Nr.:
DE 125543036

Description

- **Application:** Standard hex nut for bolts in greenhouse and mechanical assemblies
- **Standard:** DIN 934 / ISO 4032
- **Thread size:** M6
- **Material:** Galvanized steel
- **Packaging unit:** 100 pieces

The **Nuts M6 steel galv. DIN 934** are compatible with DIN-standard bolts such as DIN 931 and DIN 933. Ideal for secure and corrosion-resistant fastening in greenhouse systems.