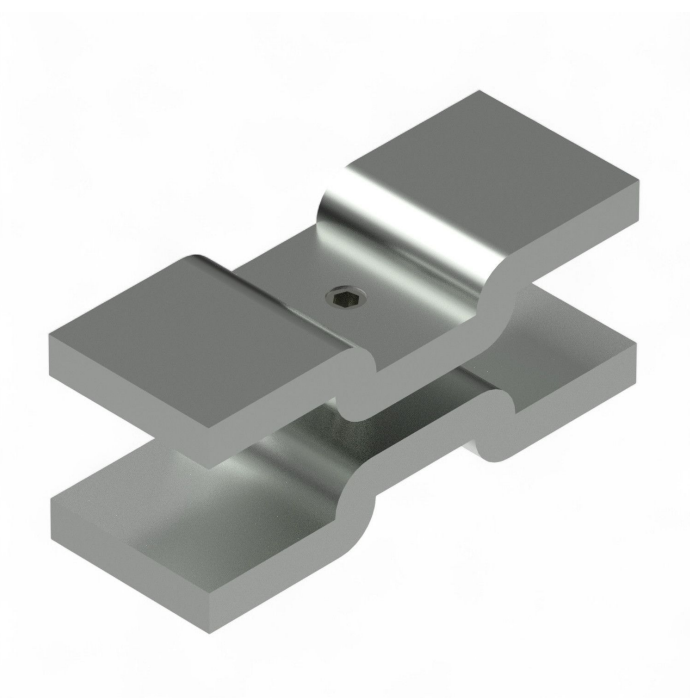


Overview

Square tube connector 50x50

Product number: 38020641





TGU GmbH & Co. KG
Joseph-Monier-Str. 2
48268 Greven
Deutschland

Kontakt:
Telefon: +49 2575/95587-
15
Fax: +49 2575/95587-87
E-Mail: info@tgu-shop.com

Rechtliches:
Amtsgericht Ibbenbüren
USt-ID-Nr.:
DE 125543036

Description

- **Application:** Connects 50x50 mm square tubes in greenhouse shading system frames
- **Material:** Galvanized steel
- **Features:** Enables stable, weld-free connections - easy alignment and assembly

The **Square tube connector 50x50** is used to join square tubes in greenhouse shading system frames. It eliminates the need for welding and allows for faster, more precise installation. Made of galvanized steel for long-term durability.