



TGU GmbH & Co. KG
Joseph-Monier-Str. 2
48268 Greven
Deutschland

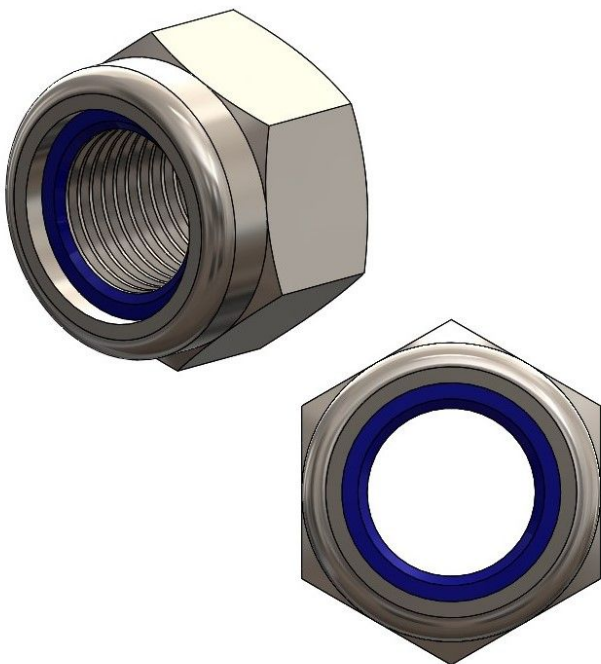
Kontakt:
Telefon: +49 2575/95587-
15
Fax: +49 2575/95587-87
E-Mail: info@tgu-shop.com

Rechtliches:
Amtsgericht Ibbenbüren
USt-ID-Nr.:
DE 125543036

Overview

Nyloc-nuts thin M4 - A2 ISO 10511 - PU = 100 pcs

Product number: 42200108





TGU GmbH & Co. KG
Joseph-Monier-Str. 2
48268 Greven
Deutschland

Kontakt:
Telefon: +49 2575/95587-
15
Fax: +49 2575/95587-87
E-Mail: info@tgu-shop.com

Rechtliches:
Amtsgericht Ibbenbüren
USt-ID-Nr.:
DE 125543036

Description

- **Application:** Locking nut for compact, corrosion-resistant fastening
- **Standard:** DIN 985 / ISO 10511
- **Thread size:** M4
- **Material:** Stainless steel (A2) with nylon insert
- **Design:** Thin profile
- **Packaging unit:** 100 pieces

The **Nylock-nuts thin M4 A2 stainless steel ISO 10511** are compact locking nuts with a nylon insert, ideal for corrosion-resistant fastening in greenhouse systems. Currently not in stock — available on request.