



TGU GmbH & Co. KG  
Joseph-Monier-Str. 2  
48268 Greven  
Deutschland

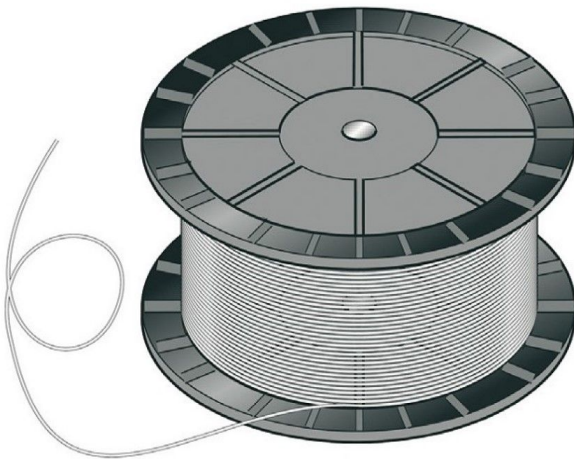
Kontakt:  
Telefon: +49 2575/95587-  
15  
Fax: +49 2575/95587-87  
E-Mail: info@tgu-shop.com

Rechtliches:  
Amtsgericht Ibbenbüren  
USt-ID-Nr.:  
DE 125543036

## Overview

# Poly -wire, black

**Product number:** 40102004



Erstellt am 21.04.2026.

Dieses Dokument stellt kein Angebot da. Es gelten die aktuellen Preise im Online-Shop.

All prices excl. VAT plus shipping costs and possible delivery charges, if not stated otherwise.



TGU GmbH & Co. KG  
Joseph-Monier-Str. 2  
48268 Greven  
Deutschland

Kontakt:  
Telefon: +49 2575/95587-  
15  
Fax: +49 2575/95587-87  
E-Mail: info@tgu-shop.com

Rechtliches:  
Amtsgericht Ibbenbüren  
USt-ID-Nr.:  
DE 125543036

## Description

- **Application:** Support or fastening wire for shading fabrics and mesh strips
- **Diameter:** 2.2 mm
- **Length:** Approx. 1800 m per roll
- **Material:** UV-stabilized black polyester
- **Features:** Ideal for greenhouses with high UV transmission - weatherproof and durable

The **Polyester wire, black - Ø 2.2 mm - approx. 1800 m/roll** is designed for use in greenhouses with high UV exposure. Its UV-stabilized polyester construction ensures long-term durability and resistance to environmental stress.