

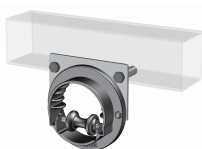
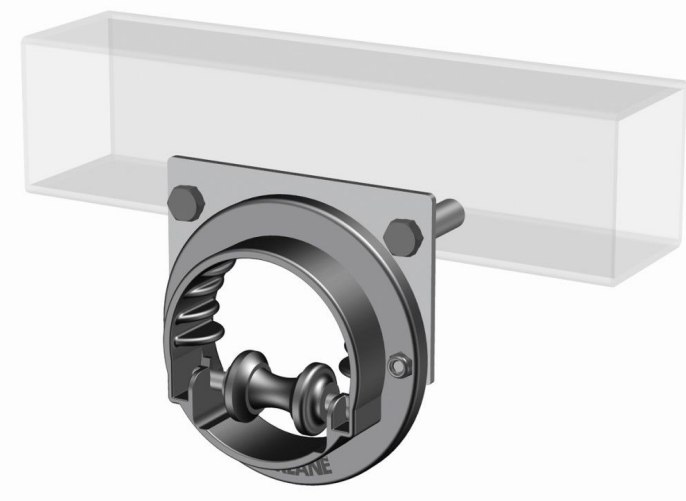
## Overview

# Diabolo roll 27.32 Set 3 with variable mounting plate - 50 pcs

Product number: 04200500

### Options

#### PU (Pcs)





TGU GmbH & Co. KG  
Joseph-Monier-Str. 2  
48268 Greven  
Deutschland

Kontakt:  
Telefon: +49 2575/95587-  
15  
Fax: +49 2575/95587-87  
E-Mail: info@tgu-shop.com

Rechtliches:  
Amtsgericht Ibbenbüren  
USt-ID-Nr.:  
DE 125543036

## Description

- **Application:** Push rod guidance in shading systems with push-drive setups
- **Material:** Plastic diabolo roller with stamped sheet metal housing
- **Installation:** Rotating plastic insert allows flexible positioning
- **Features:** Integrated plastic lamellae assist with push rod alignment
- **Packaging Unit:** 50 pcs

**Diabolo Roller 27.32 Set 3 with Adjustable Mounting Plate** offers precision guidance of push rods in greenhouse shading systems. The rotating plastic insert enables variable installation angles for optimal flexibility.

Plastic lamellae help fine-tune push rod position, ensuring stable and consistent motion. A rugged choice for accurate and professional shading automation.