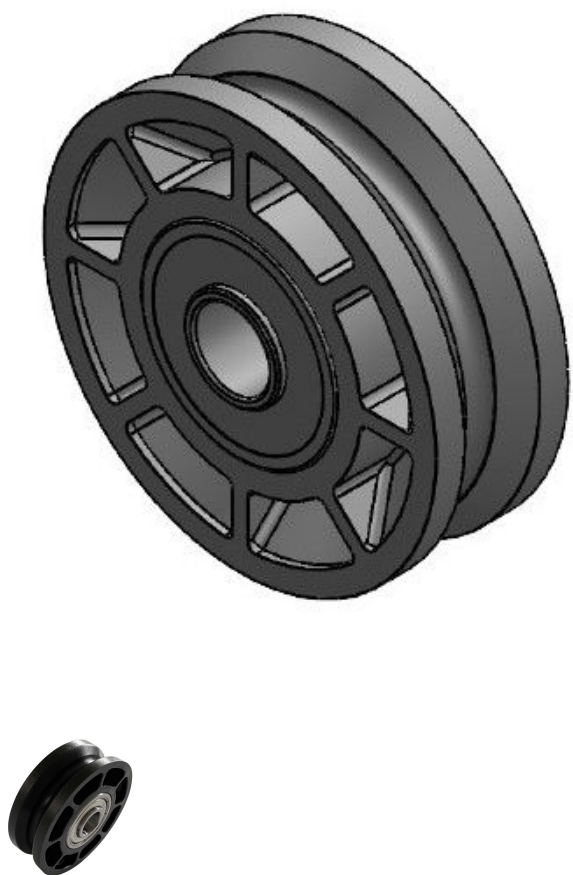


Overview

Cable pulley 52/4

Product number: 04200098-1



Options

PU

Version:

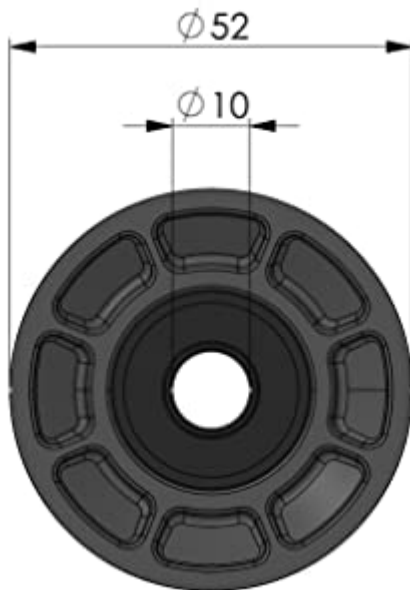
Description

Thanks to two ball bearings, the 52 mm pulley is guided particularly securely on the axle and has a high level of stability under shear loads.

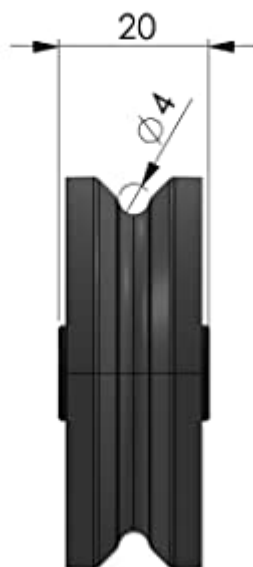
The integrated spacers make it particularly easy to mount the pulley. No spacers or washers are needed.



- Impact resistant pulley
- Two ball bearings with integrated spacers
- Load capacity: up to 180 kg
- Made in Germany



- Outer diameter: 52 mm
- compatible with 10 mm bolt



- Total width: 20 mm
- Rope diameter: up to $\phi 4$ mm