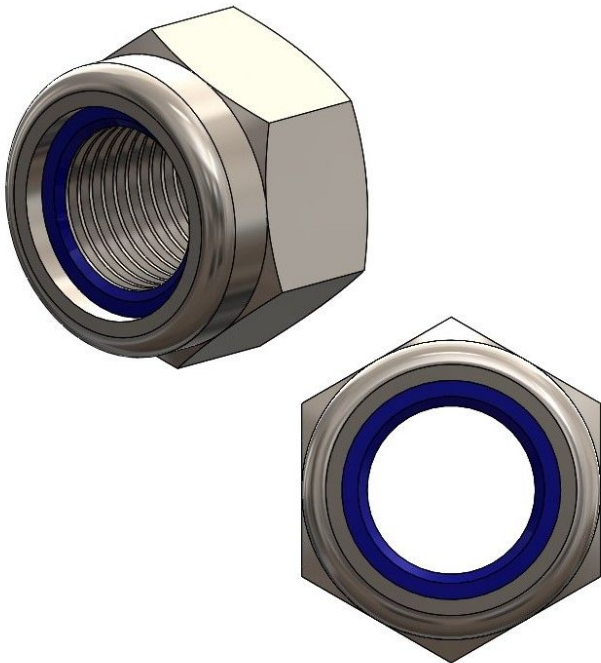


Overview

Nylock-nuts thin M 6 steel galv. ISO 10511 - PU = 100 pcs

Product number: 42200105





TGU GmbH & Co. KG
Joseph-Monier-Str. 2
48268 Greven
Deutschland

Kontakt:
Telefon: +49 2575/95587-
15
Fax: +49 2575/95587-87
E-Mail: info@tgu-shop.com

Rechtliches:
Amtsgericht Ibbenbüren
USt-ID-Nr.:
DE 125543036

Description

- **Application:** Locking nut for vibration-resistant fastening
- **Standard:** DIN 985 / ISO 10511
- **Thread size:** M6
- **Material:** Galvanized steel with nylon insert
- **Packaging unit:** 100 pieces

The **Nylock-nuts thin M6 steel galv. ISO 10511** are designed to prevent self-loosening of screw connections. The integrated nylon ring enhances clamping force and ensures long-term fastening security in greenhouse environments.