

## Overview

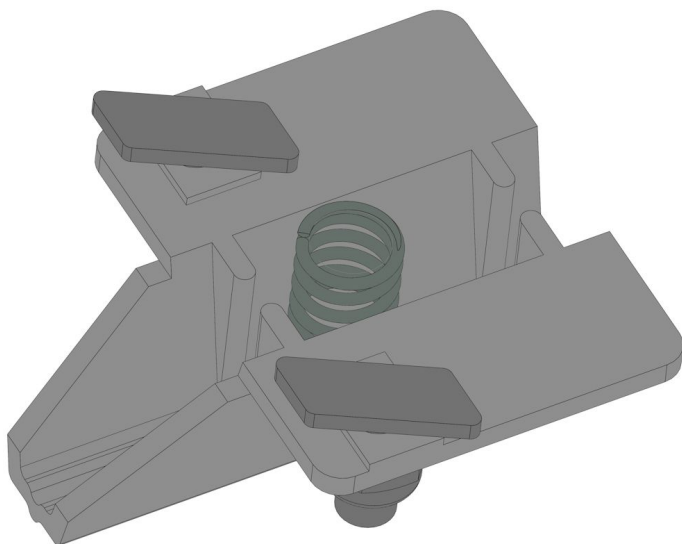
# Slip joint incl. 1 spring f. screenprofil

Product number: 21100107-1

### Options

#### PU (Pcs)

#### Version





TGU GmbH & Co. KG  
Joseph-Monier-Str. 2  
48268 Greven  
Deutschland

Kontakt:  
Telefon: +49 2575/95587-  
15  
Fax: +49 2575/95587-87  
E-Mail: info@tgu-shop.com

Rechtliches:  
Amtsgericht Ibbenbüren  
USt-ID-Nr.:  
DE 125543036

## Description

- **Application area:** Connection between drive wire rope and screen profile in shading systems
- **Material:** High-quality plastic for long-lasting use
- **Function:** Slip coupling with sliding clamping technology to protect drive wire ropes
- **Special feature:** Especially suitable for greenhouses with temperature-related material expansion

The **Slip joint incl. 1 spring f. screenprofil** gently connects the drive wire rope to the screen profile in a shading system. The integrated slip coupling with sliding clamping technology ensures secure and flexible fastening.

This technique is particularly advantageous for greenhouses where temperature-related material expansion occurs, such as with aluminum gutters.