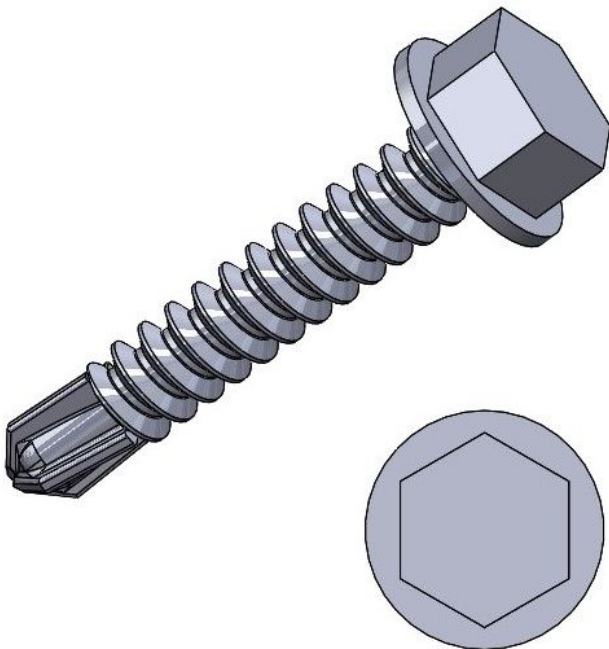


Overview

Teks-bolt galv. 5,5 x 25 mm DIN 7504K - PU = 500 pcs

Product number: 42000102





TGU GmbH & Co. KG
Joseph-Monier-Str. 2
48268 Greven
Deutschland

Kontakt:
Telefon: +49 2575/95587-
15
Fax: +49 2575/95587-87
E-Mail: info@tgu-shop.com

Rechtliches:
Amtsgericht Ibbenbüren
USt-ID-Nr.:
DE 125543036

Description

- **Application:** Self-drilling screw for direct fastening into steel
- **Standard:** DIN 7504K
- **Dimensions:** 5.5 × 25 mm
- **Material:** Galvanized steel
- **Packaging unit:** 500 pieces

The **Teks bolt galv. 5.5×25 mm DIN 7504K** is a longer variant of the standard Teks screw, offering deeper penetration for thicker steel profiles. Its cutting tip eliminates the need for pre-drilling, making installation fast and efficient.